



Decorative Roller Shutter  
Storbox 2000

# Decorative Roller Shutter Storbox 2000



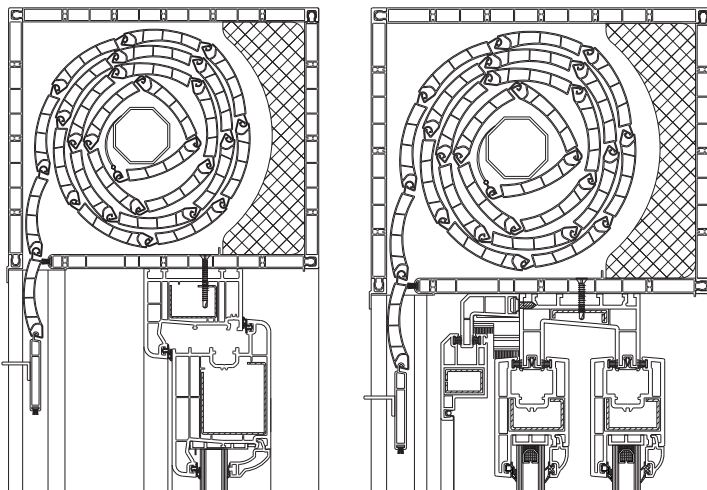
Storbox 2000, a door and window shutter system, provides excellent heat isolation. Storbox 2000 is being produced in two different dimensions 165 mm and 200 mm boxes, and may be installed subsequently over all kinds of existing windows and doors and can be installed together with your openings or by plastering.

Elit, Ege and Mini are various types of slates used in this Roller Shutter system; in 165 mm box the side covers are constituted of plastic parts, whereas in 200 mm box the side covers are constituted of metal parts. In this system single window, door top and multiple rolling shutter types may be applied.

## Isolated box cross-sections

165 x 200 mm

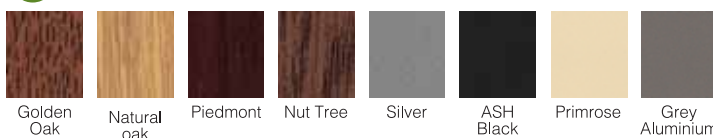
200 x 235 mm



## Normal Lamination



**solex** (7 years warranty)



Mini Rolling Shutter 295



Slate Specifications

Thickness : 8 mm  
Height : 37 mm  
m/pieces : 27 pieces  
Color options : White, grey, cream, wood look  
165 mm case : 2,40 m  
200 mm case : 3,50 m

\*Lamination option may be applied only for mini rolling shutter profile.

Elit Rolling Shutter 12705



Slate Specifications

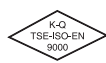
Thickness : 12.7 mm  
Height : 52 mm  
m/pieces : 19 pieces  
Color options : White, grey, cream, wood look  
165 mm case : 1,90 m  
200 mm case : 2,80 m

Elit Rolling Shutter 12707



Slate Specifications

Thickness : 13.5 mm  
Height : 55 mm  
m/pieces : 18 pieces  
Color options : White, grey, cream, wood look  
165 mm case : 1,30 m  
200 mm case : 2.15 m



Environment-friendly Ca-Zn stabilizer is used in the production of PVC profiles.