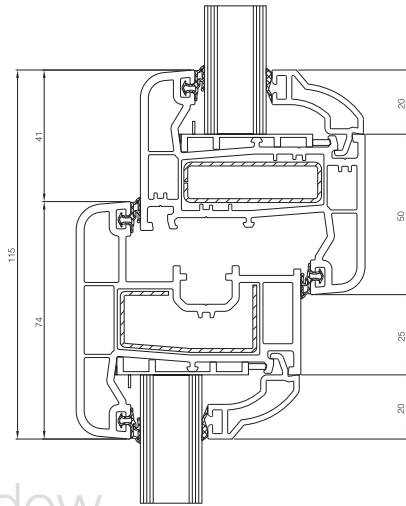


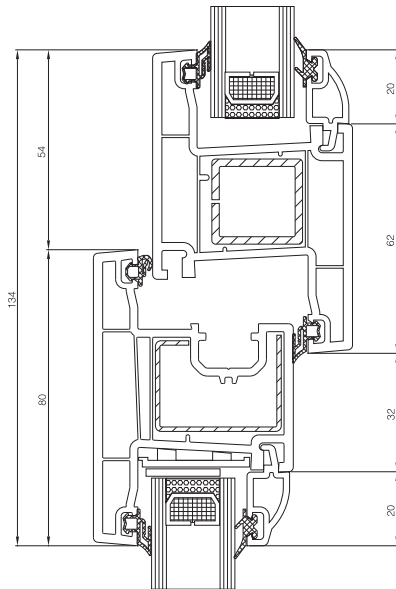


Casement Open Out System

# Casement Open Out System



zendow®

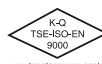
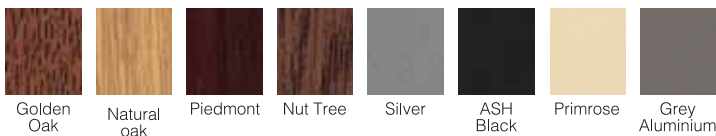


**everest®**  
8848

## Normal Lamination



**solex** (7 years warranty)



**AS 2047**



Deceuninck latest innovation to this system is the Z mullion connector. Conventional casement open out systems generally require the mullion to be welded when a fix panel is involved. This application not only is expensive but esthetically not accepted by most architects. The Z mullion connector (A Patent of Deceuninck) allows the window fabricator to provide fix panels next to an opening without making the window more expensive. As a matter of fact this application actually reduces the cost of the window.

